



Power is knowledge.™

# NPE Single Port Midspan Extractor Installation Manual

## LifeSafety Power®



# NETPOWER®



LifeSafety Power, Inc. | PH 888.577.2898 | [TechSupport@LifeSafetyPower.com](mailto:TechSupport@LifeSafetyPower.com)

### Description

The NetPower NPE130 PoE power extractor is designed to provide 12VDC, up to a maximum of 25W output power, to a non-PoE IP device (e.g. IP camera) from a PoE source.

RJ45 connectors are provided for data input and output, and two terminal strips are provided for the DC output and power level selection.

The NPE130 is compatible with the IEEE802.3at standard and is capable of accepting PoE connections of Mode A, Mode B, or Mode A and B simultaneously.

Operation with reverse polarity at the PoE input is also supported.

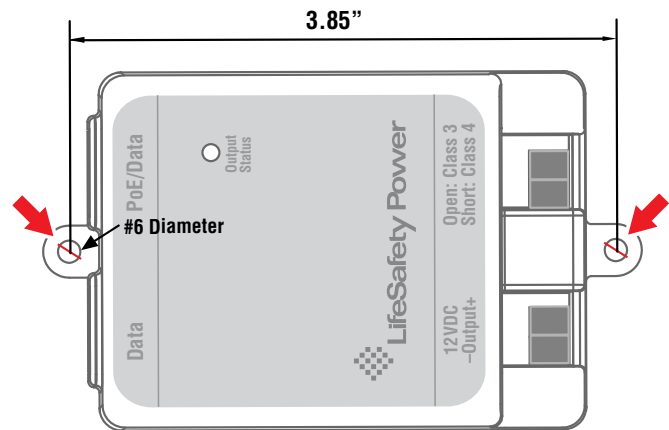
### Regulatory Information

The equipment discussed within this manual has been tested to the following standards:

- UL294b
- UL/CUL 60950-1
- CSA C22.2 No. 205-M1983

### Mounting the NPE130 Series Module

The NPE130 mounts using two screws in the mounting tabs. The NPE130 is also available in a DIN Rail mountable version (NPE130DR). The unit must be mounted in a secure, indoor, dry location to a suitable surface, using suitable hardware.

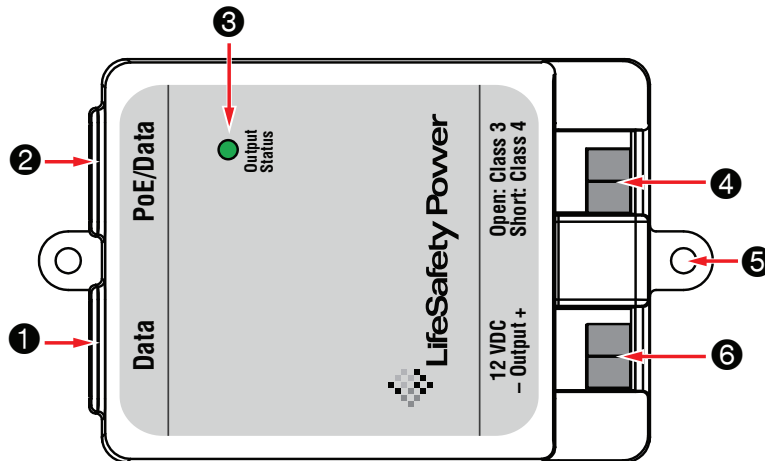


### Specifications

	NPE130
<b>Input Voltage</b>	50V Nominal (42.5 to 57 VDC compatible to IEEE802.3at)
<b>Input Current</b>	0.7A Max
<b>Output Power</b>	25W Max (when power select terminals are shorted) 13W Max (when power select terminals are open)
<b>Output Voltage</b>	12VDC
<b>Data Rate</b>	10/100/1000 Base-T
<b>ESD Immunity</b>	8kV
<b>RJ45 Pinout</b>	Input power connection 1: Pins 1, 2; Pins 3, 6; (any polarity) Input power connection 2: Pins 4, 5; Pins 7, 8; (any polarity) Data: Pins 1, 2, 3, 4, 5, 6, 7, 8
<b>Operating Ambient Temperature</b>	0 to 49°C, Indoor Dry Locations
<b>Storage Temperature</b>	-20 to +70°C
<b>Operating Humidity</b>	5 to 95% (Non-Condensing)
<b>Size</b>	4.20" L x 2.50" W x 1.20" D (107mm L x 64mm W x 31mm D)
<b>Weight</b>	0.25 lb (0.11 kg)



## NPE130 – Module Overview



### 1 Data

This is the non-PoE network connection to a non-PoE camera or other non-PoE device. This connector is an RJ45 jack and accepts a CAT-5 cable.

### 2 PoE/Data

This is the PoE input from the network. This will come from a PoE source such as a NPM Midspan Injector or a PoE Network Switch. This connector is an RJ45 jack and accepts a CAT-5 cable.

### 3 Output Status (Green)

This LED shows the status of the NPE130 PoE Extractor. See the status chart for more information.

### 4 PoE Class Selection Jumper

This input selects the class of PoE connected to the PoE/Data input of the NPE130.

Leave these terminals open if connecting to a Class 3 (15W) PoE Source. Place a jumper across these terminals if connecting to a Class 4 (30W) PoE Source.

### 5 Mounting Tab

The mounting tab centers are spaced 3.85" on center. Refer to the mounting guide (page 1) for mounting details.

### 6 12VDC Output

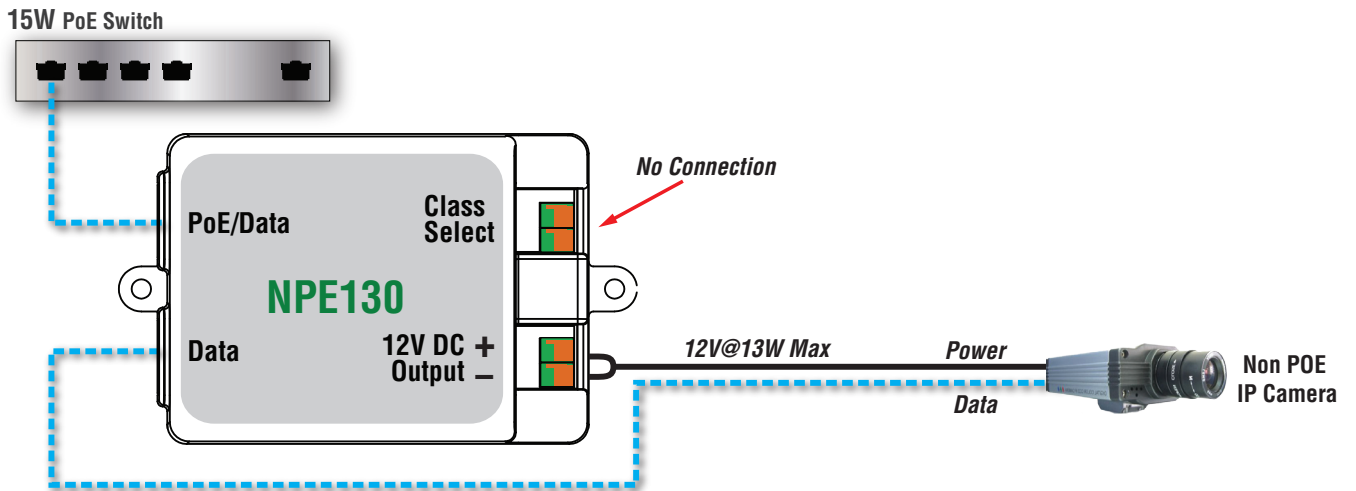
These terminals are the 12VDC output from the NPE130. This output can be used to power non-PoE devices such as cameras. These terminals can accept wire sizes from AWG16 to AWG22. See the Specifications Section for ratings.

## NPE130 – Status LED

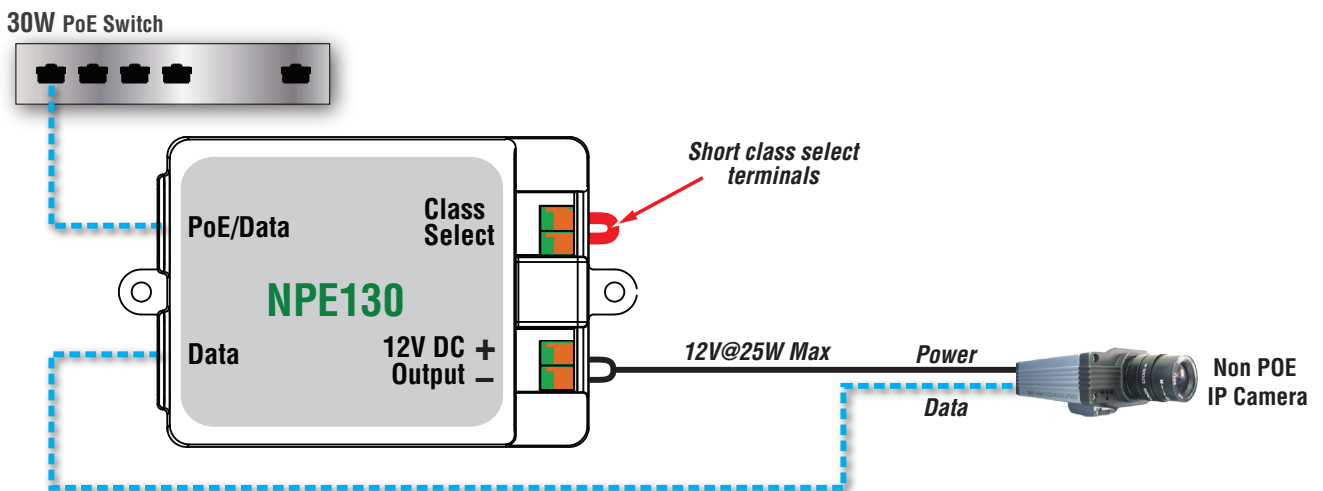
NPE130 Port Status	LED State
No Primary Power to Unit	OFF
No Connection on PoE/Data Port	OFF
Operation Normal	ON

Example Wiring - Block Diagrams

a) Powering a non-PoE IP Camera using a 15W PoE Switch and NPE130 Extractor

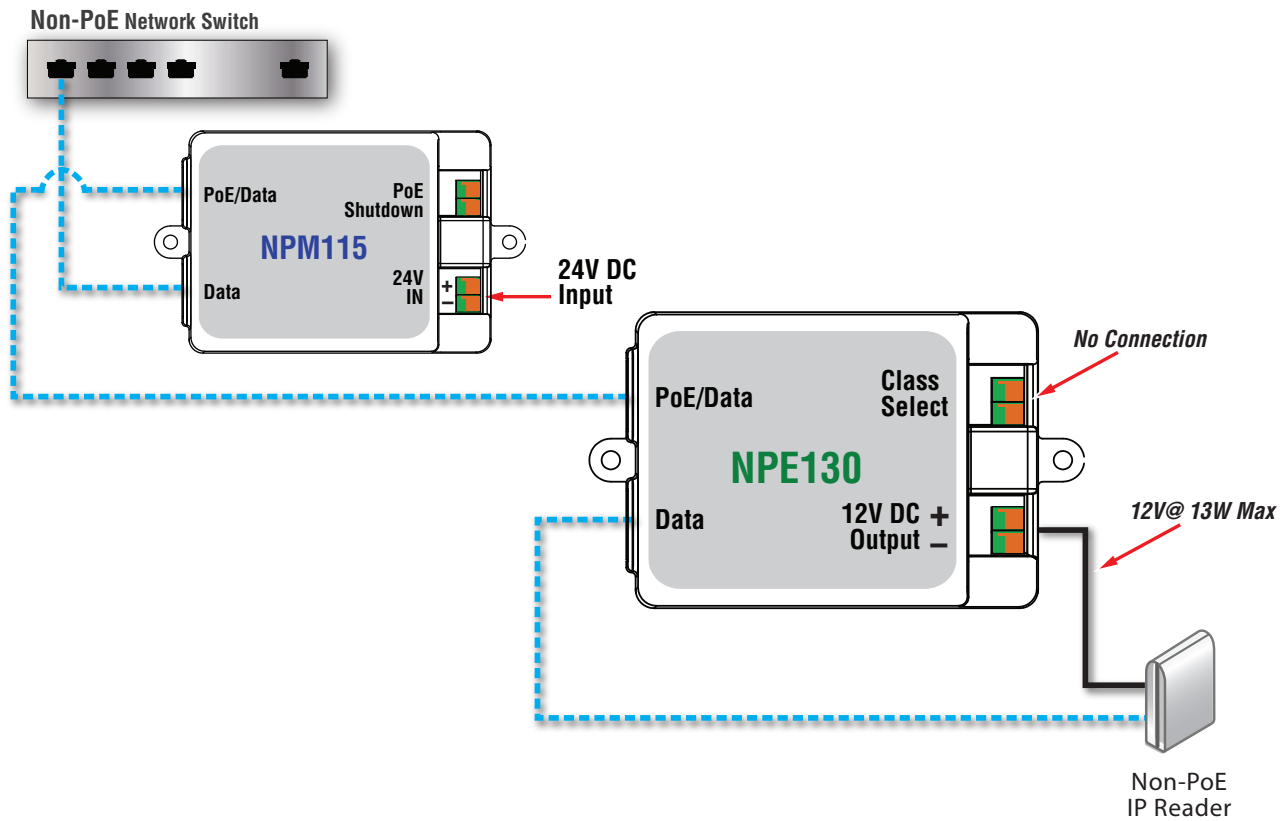


b) Powering a non-PoE IP camera using a 30W PoE Switch and NPE130 Extractor

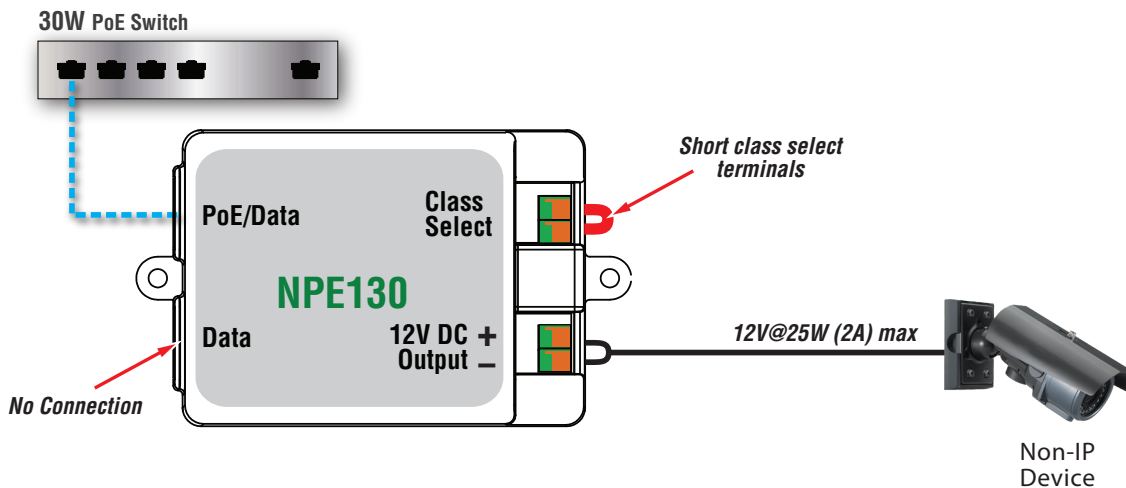


## Example Wiring - Block Diagrams (continued)

c) Powering a non-PoE Reader using a non-PoE Switch, NPM115 Injector, and NPE130 Extractor



d) Powering a generic non-IP device using a PoE Switch and NPE130 Extractor



**LifeSafety Power Inc.**  
304 Terrace Drive  
Mundelein, IL 60060 USA

**www.lifesafetypower.com**  
Tel (888) 577-2898  
info1@lifesafetypower.com

LifeSafety Power, FlexPower, NetLink, GreenSmart, FlexConnect, PowerCom, Reliability+, SureCharge, TruWatt, and VSelect are trademarks or registered trademarks of LifeSafety Power Inc. or its affiliates.

**Important:** All information, including illustrations, is believed to be reliable. Users, however, should independently evaluate the suitability of each product for their particular application. LifeSafety Power makes no warranties as to the accuracy or completeness of the information, and disclaims any liability regarding its use. LifeSafety Power's only obligations are those in the LifeSafety Power Standard Terms and Conditions of Sale for this product, and in no case will LifeSafety Power or its distributors be liable for any incidental, indirect, or consequential damages arising from the sale, resale, use, or misuse of the product. Specifications are subject to change without notice. In addition, LifeSafety Power reserves the right to make changes—without notification to Buyer—to processing or materials that do not affect compliance with any applicable specification.