

Overview

LifeSafety Power/Gallagher Security integrated access power systems combine Gallagher 6000 series controllers with LSP's advanced power modules within a R2U rack enclosure.

Standard models provide 4A at 12V and 4A at 24VDC. Eight fused lock outputs are controlled by the 6000 controller and protect the controller's relays from high current lock switching. Eight fused auxiliary outputs are available for powering Request To Exit (REX) or other devices.

Networked models add network management to the dual voltage standard features. Network management allows measurement of lock voltage and current, scheduled remote automated battery testing, email alerts on trouble conditions or impending lock failure, and more.

Pre-wired models feature pre-terminated wiring harnesses for the Gallagher 6000 controllers, saving wiring time and providing consistent results across multiple locations. Prewired models use color-coded wiring for power, lock outputs, RS485 communication, faults, and tamper switch.



Standard Features

- ◆ Integrated power & access
- ◆ 120 or 230VAC input
- ◆ SLA or LiFePO4 battery charging
- ◆ Aux & lock power outputs

Managed Benefits

- ◆ **Monitor:** ac power, system faults, service due
- ◆ **Control:** device power cycle, remote battery test
- ◆ **Predict:** battery life, lock replacement
- ◆ **Report:** 1000 event log, fault analysis

Pre-wired Points

- ◆ Factory installed wiring harness
- ◆ System power / locks / RS485 / tamper
- ◆ Screwdriver ready panel installation
- ◆ Point to point wiring documentation

DOORS	TYPE	CONFIGURATION	MODEL NUMBER TO ORDER	POWER	OUTPUTS	CABINET SIZE
8DR	STANDARD	Non-wired	C305766	4A @ 12V and 4A @ 24V	8 Lock 8 Auxiliary	R2U 3.5H x 19W x 14D
		Pre-wired	C305767			
	NETWORK	Non-wired	C305768		8 Managed 8 Auxiliary	
		Pre-wired	C305769			


Pre-wired rack systems wired for 6000/8H. Models configured are 120VAC - see product manual for in-field 230VAC modification.

Certifications / Warranty

- ◆ UL | ULC | CE | BIS | NOM | FCC | CSFM | ROHS
- ◆ Lifetime Warranty



Power Specifications

Input Power	Input 120/230 VAC selectable input, 50/60 Hz ±10% Dual voltage: 170W Overload and short circuit protection Over temperature protection
Output Power	Dual voltage: 12V@4A and 24V@4A Continuous duty cycle - no derating 120 mV output voltage ripple System efficiency 85% BTU Rating 33 (single voltage), 66 (dual voltage)
Battery Charging	Microprocessor dual rate charger with integrated low battery cutoff 1A (single voltage) / 2A (dual voltage) charge rate Charges up to 40/80 Ah battery sets within UL limit Automatic switchover to standby battery when AC fails Zero voltage dropout when switched over to battery backup
Power Distribution	All Models: 8 auxiliary outputs, fused at 3A each Standard: 8 relay lock control outputs, fused at 3A each Network: 8 relay managed outputs, fused at 3A each
Supervision	AC Fail (form "C" contacts) System fail (form "C" contacts) may be triggered by: low/no battery, power supply failure, blown fuse
LED Visual Indicators	AC input, DC outputs, AC fault, system fault, earth ground fault, fire alarm activation D8 / C8 / M8: Bicolor DC output: blue (if 24V) / green (if 12V)
Enclosure Mechanical	R2U: 3.5H x 19W x 14D (90 x 480 x 360) mm Weight: 19 lb (9 kg) lockset, tamper switch, Z bracket included
Panel Wiring	Cabinet factory wired for power, lock control, faults, tamper switch Controller Wiring = 6000 / 8H 
Cable Management	Cable management Panduit (P)
Regulatory Compliance	USA/Canada UL294, UL1076 ULC S319 CSA C22.2 #107.1 FCC Part 15 CSFM International CE: IEC 62368-1:2014, EN55032:2015, EN61000-3-2:2014, EN61000-3-3:2013, EN55024:2010 +A1:2015 India BIS IS13252(Part1):2010 Mexico NOM 001:2018

LSP Gallagher Power Family

PRODUCT GUIDE 

STANDARD
NETWORK
PRE-WIRED 



standard
C305766
C305767 
network
C305768
C305769 



8DR

standard
C305724
C305725 
network
C305726
C305727 



16DR

standard
C305728
C305729 
network
C305730
C305731 



24DR

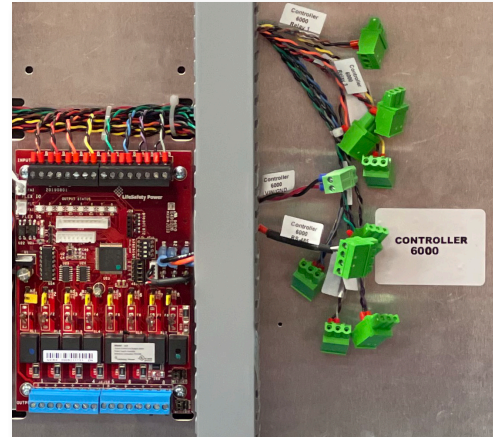
standard
C305732
C305733 
network
C305734
C305735 

Pre-wired models



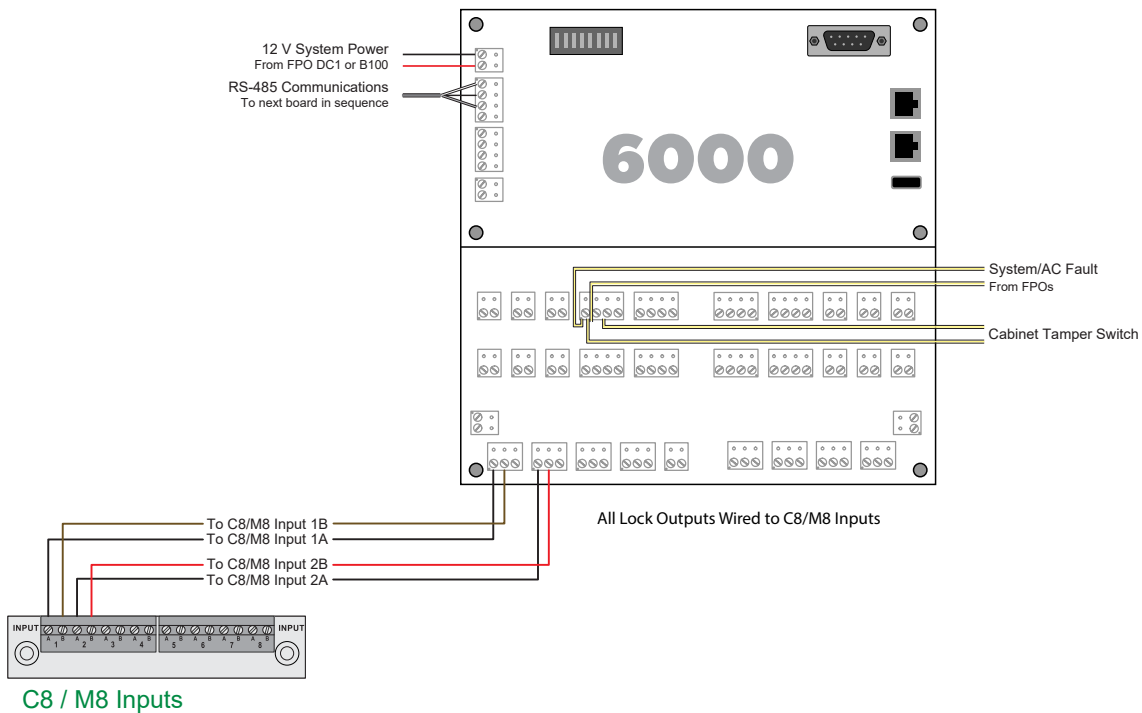
- System Power
- Lock Power
- PSU Faults
- Tamper Switch
- Aux Distribution
- Lock Control
- RS485

Factory Wired Terminations



- Consistent color-coded twisted pair wiring
- Shielded communication wiring
- Pre-terminated wiring harnesses for plug-in connections
- Panduit wire management

6000 Wiring (see Gallagher ProWire® Companion for complete wiring guide)



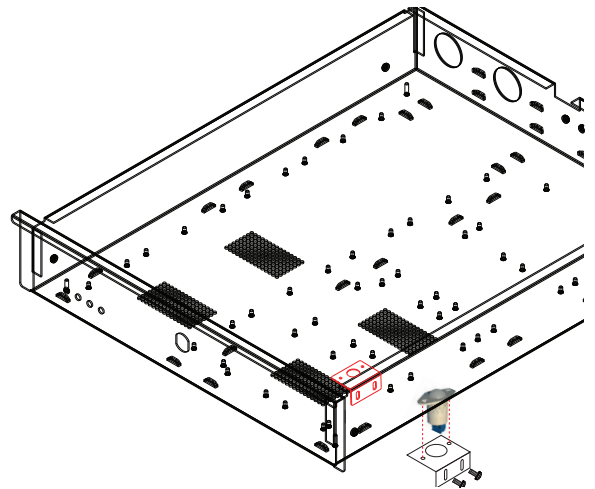
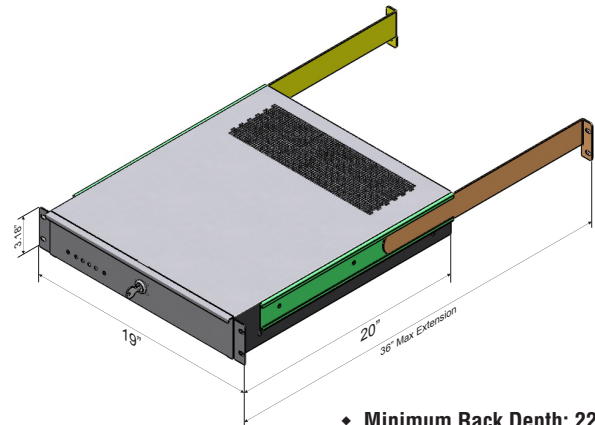
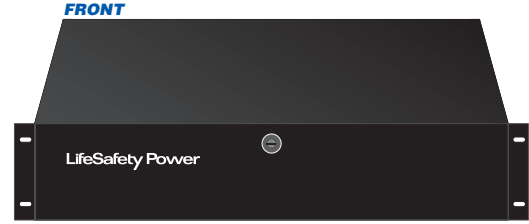
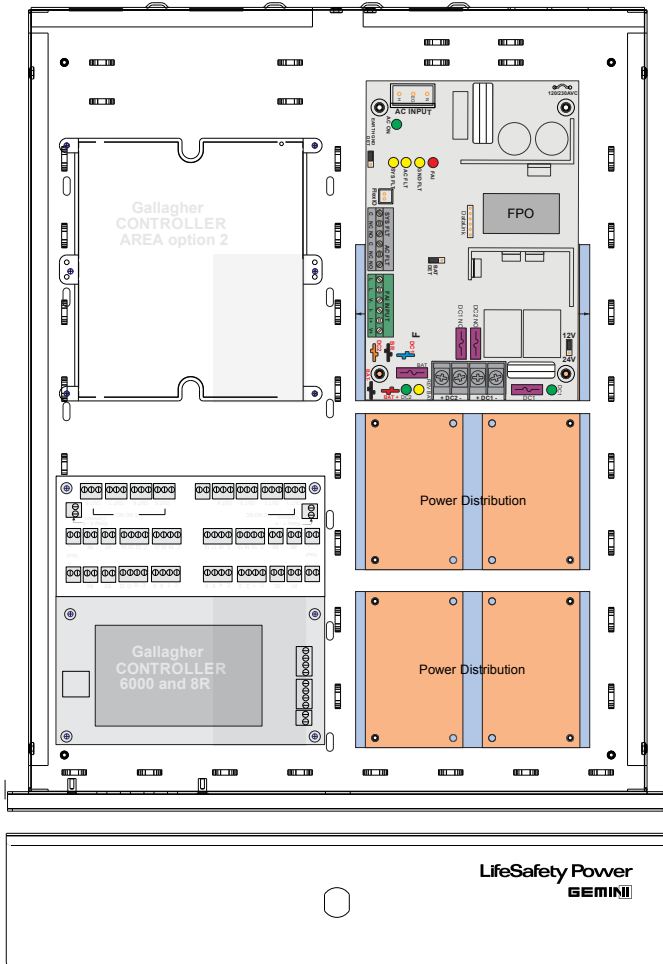
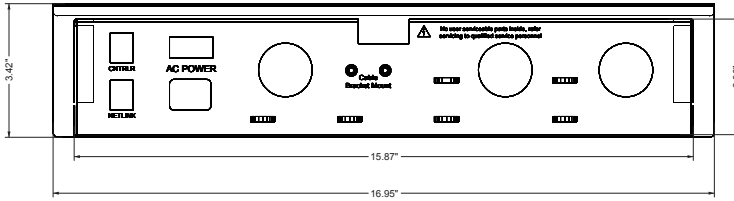
Wiring Detail

- Power to Gallagher controller
- RS485 communication
- Lock control input wiring
- Power supply faults
- Tamper switch

Mechanical Specification

R2U Rack drawer Dimensions

3.5H x 19W x 14D in



LifeSafetyPower.com

(888) 577-2898
info1@lifesafetypower.com

Specifications subject to change without notice.

© 2023 LifeSafety Power. All rights reserved. LifeSafety Power and FlexPower are registered trademarks of LifeSafety Power. This literature is for guidance only. It does not constitute recommendations, representation, or advice, nor is it part of any contract. Our policy is one of continuous product improvement, and the right is reserved to modify the specifications contained herein without notice.

P01-982A 06/23

LifeSafety Power
10027 S 51st Street, Suite 102
Phoenix, AZ 85044 USA